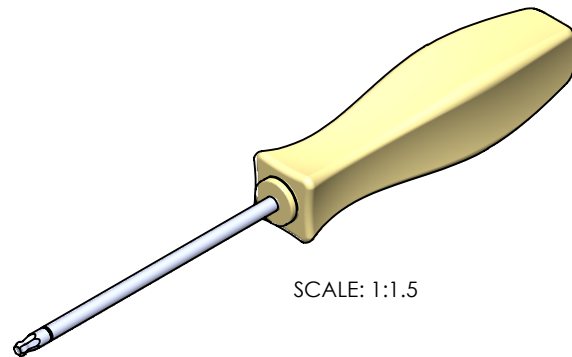


DETAIL A
SCALE 6 : 1



SCALE: 1:1.5

UNLESS OTHERWISE SPECIFIED: DIMENSIONS ARE IN INCHES			TOLERANCES: X.XX= ±0.13 X.XXX= ±0.015 X.XXXX= -0.0016		
DRAWN	NAME	SIGN	DATE		
APP'VD	A.T.		01.16.19		
MATERIAL: HANDLE: NYLON SHAFT: 718 INCONEL NON-MAGNETIC S.S.					TITLE: 2.5MM NM BALL DRIVER with NYLON HANDLE
<i>THIS DRAWING IS THE PROPERTY OF STERITOOL, INC. ANY REPRODUCTIONS OR MODIFICATIONS OF THIS DRAWING OR ITS CONTENTS WITHOUT THE CONSENT OF STERITOOL, INC. IS PROHIBITED.</i>					PART NO. 41822
					SCALE: 1.25:1